



# X12 / X15

Effective 12/01/07

## WHAT IS NOT COVERED

**Caution: Burnt voice coils are not covered under warranty!**

**In addition the warranty does not cover:**

- \* **Damaged Spiders**
- \* **Damaged Surrounds**
- \* **Damaged Cones**
- \* **Damaged Tinsel Leads**
- \* **Damaged Voice Coils**
- \* **Damage due to improper installation**
- \* **Damage caused by exposure to moisture, excessive heat, chemical cleaners and/or UV exposure**
- \* **Damage through negligence, misuse, accident or abuse.**
- \* **Any cost or expense related to the removal or reinstallation of this product.**
- \* **Speakers damaged due to amplifier clipping or distortion**
- \* **Speaker with any foreign caulk used for gasket material**
- \* **Items previously repaired or modified by any unauthorized repair center**
- \* **Return shipping on non-defective items**
- \* **Products with tampered or missing barcode labels.**
- \* **Products returned without a Return Merchandise Authorization (RMA) number.**
- \* **Freight damage.**
- \* **The cost of shipping the product to your Elevation Dealer or Distributor.**
- \* **Service performed by anyone other than Elevation Audio.**



# **SUBWOOFER** **INSTALLATION GUIDE**



**ELEVATIONAUDIO**  
*Performance. Perfection. Pride.*

*Congratulations on your purchase on an Elevation Audio subwoofer. Your Elevation Audio subwoofer is a precision loudspeaker which has engineered to produce the highest quality sub-bass performance on the market today. Authorized Elevation Audio dealers have extensive technical information for many different applications of your new subwoofer. They also have the knowledge, skills and tools to build a high-quality enclosure that will maximize the performance of your subwoofer. We highly recommend that you have your enclosure built by an authorized Elevation Audio dealer.*

*Inside you will find specifications and recommended enclosures for your speaker. A sealed enclosure is a better choice if space is tight, but a ported enclosure will produce 3dB more output at the same power if you have the extra space to work with.*

*If you decide to build one of these enclosures yourself, you must have the construction of the box inspected and approved by your authorized Elevation Audio dealer in order for the 2 year (Comp, Pro) or 1 year (EX) limited warranty to be valid. Also be sure to go to [www.elevationaudio.com](http://www.elevationaudio.com) and register your new product to activate your subwoofers warranty. Please read the warranty information carefully.*



**Comp10, Comp12**  
*Page 3*



**Pro12**  
*Page 4*



**EX12, EX15**  
*Page 5*

**ELEVATIONAUDIO**  
*Performance. Perfection. Pride.*



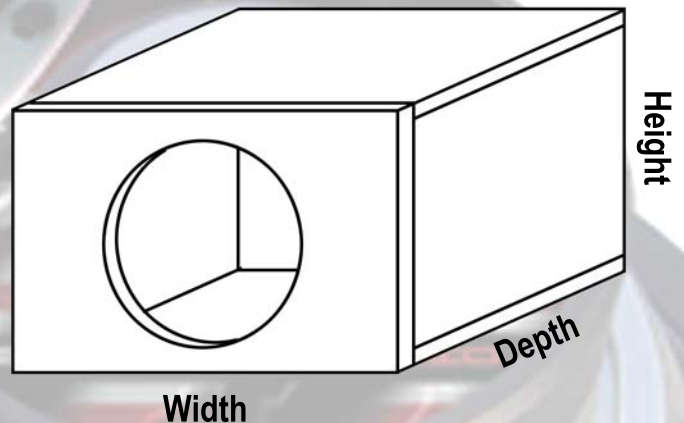
**COMP10 - COMP12**

Subwoofer	Comp10	Comp12
Free Air Response (Fs)	34.9 Hz	36.4 Hz
Electrical "Q" (Qes)	0.714	0.881
Mechanical "Q" (Qms)	3.448	2.848
Total Speaker "Q" (Qts)	0.591	0.673
Equivalent Compliance (Vas)	30 L	51 L
One-way, Linear Excursion (Xmax)	12 mm	12 mm
Efficiency (1W/1m)*	84.7 dB	85.9 dB
Effective Piston Area (Sd)	.0308 sqM	.0483 sqM
DC Resistance (Re)	6 ohm	6 ohm
Nominal Impedance	4 ohm	4 ohm
Power Handling (continuous)	250 RMS	300 RMS

\* Efficiency (1W/1m) is not an accurate indicator of a subwoofers output capability and should not be used as a comparison to other subwoofers to determine which one is "louder"!

*All specifications are subject to change without notice*

Subwoofer	Recommended Sealed Enclosures	
	Volume (net int.)	External Dimensions Width x Height X Depth
Comp10	1 cu ft.	15 in. x 14 in. x 12 in.
Comp12	1.25 cu ft.	16 in. x 15 in. x 12.5 in.



*- Additional Enclosures can be found on [elevationaudio.com](http://elevationaudio.com)*

The enclosure recommendations listed are external dimensions which assume the use of 3/4" thick material. If you are using 5/8" thick material, subtract 1/4" from each dimension. Do not use any material with a thickness of less than 5/8" as this may compromise the rigidity on the enclosure.

All enclosure volumes listed are net internal volumes! Box volume displacement, port displacement and brace displacement must be added to obtain the final gross internal volume. All enclosure dimensions listed have already taken this into account.

When using two subwoofers in a common enclosure simply double the required volume and, in the case of a ported enclosure, use two times the recommended port(s).

We recommend the use of the subwoofer in a bi-amplified system using high quality satellite speakers and amplifiers. We do not recommend the use of this subwoofer with a passive crossover (coil), as this type of device will adversely affect performance.

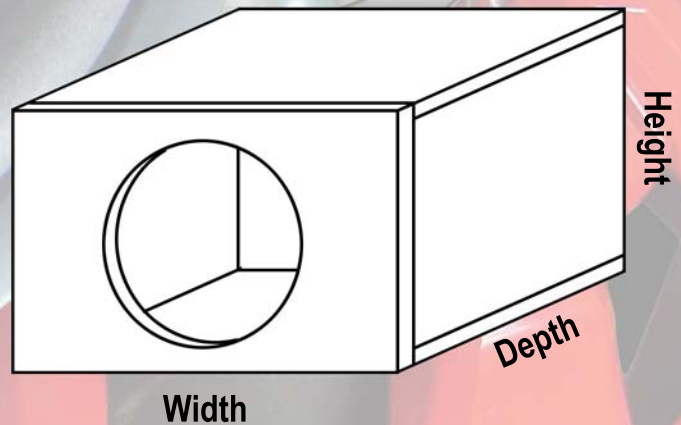


Subwoofer	Pro12	
Free Air Response (Fs)	32 Hz	
Electrical "Q" (Qes)	.695	
Mechanical "Q" (Qms)	4.094	
Total Speaker "Q" (Qts)	.594	
Equivalent Compliance (Vas)	50 L	
One-way, Linear Excursion (Xmax)	24 mm	
Efficiency (1W/1m)*	86 dB	
Effective Piston Area (Sd)	.053 sqM	
DC Resistance (Re)	5.6 ohm	
Nominal Impedance	DVC 4 ohm	
Power Handling (continuous)	750 RMS	

\* Efficiency (1W/1m) is not an accurate indicator of a subwoofers output capability and should not be used as a comparison to other subwoofers to determine which one is "louder"!

**All specifications are subject to change without notice**

Subwoofer	Recommended Sealed Enclosures	
	Volume (net int.)	External Dimensions Width x Height X Depth
Pro12	1.25 cu ft.	17 in. x 15 in. x 12.5 in.



**- Additional Enclosures can be found on [elevationaudio.com](http://elevationaudio.com)**

The enclosure recommendations listed are external dimensions which assume the use of 3/4" thick material. If you are using 5/8" thick material, subtract 1/4" from each dimension. Do not use any material with a thickness of less than 5/8" as this may compromise the rigidity on the enclosure.

All enclosure volumes listed are net internal volumes! Box volume displacement, port displacement and brace displacement must be added to obtain the final gross internal volume. All enclosure dimensions listed have already taken this into account.

When using two subwoofers in a common enclosure simply double the required volume and, in the case of a ported enclosure, use two times the recommended port(s).

We recommend the use of the subwoofer in a bi-amplified system using high quality satellite speakers and amplifiers. We do not recommend the use of this subwoofer with a passive crossover (coil), as this type of device will adversely affect performance.



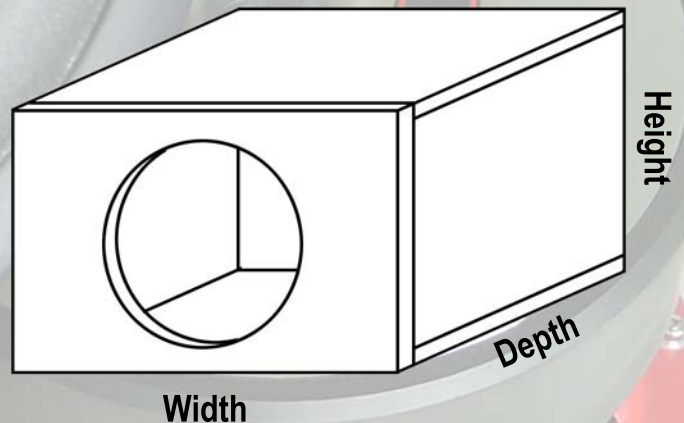
**EX12 - EX15**

Subwoofer	EX12	EX15
Free Air Response (Fs)	32 Hz	32 Hz
Electrical "Q" (Qes)	0.449	0.55
Mechanical "Q" (Qms)	4.30	5.025
Total Speaker "Q" (Qts)	0.406	0.496
Equivalent Compliance (Vas)	34 L	60 L
One-way, Linear Excursion (Xmax)	32 mm	32 mm
Efficiency (1W/1m)*	88.9 dB	89.8 dB
Effective Piston Area (Sd)	.0539 sqM	.0814 sqM
DC Resistance (Re)	2.6 ohm	2.6 ohm
Nominal Impedance	DVC 2 ohm	DVC 2 ohm
Power Handling (continuous)	1500 RMS	1500 RMS

\* Efficiency (1W/1m) is not an accurate indicator of a subwoofers output capability and should not be used as a comparison to other subwoofers to determine which one is "louder"!

**All specifications are subject to change without notice**

Subwoofer	Recommended Sealed Enclosures	
	Volume (net int.)	External Dimensions Width x Height X Depth
<b>EX12</b>	<b>1 cu ft.</b>	<b>15.5 in. x 14.5 in. x 13.5 in.</b>
<b>EX15</b>	<b>2 cu ft.</b>	<b>18.5 in. x 17.5 in. x 15.5 in.</b>



**- Additional Enclosures can be found on [elevationaudio.com](http://elevationaudio.com)**

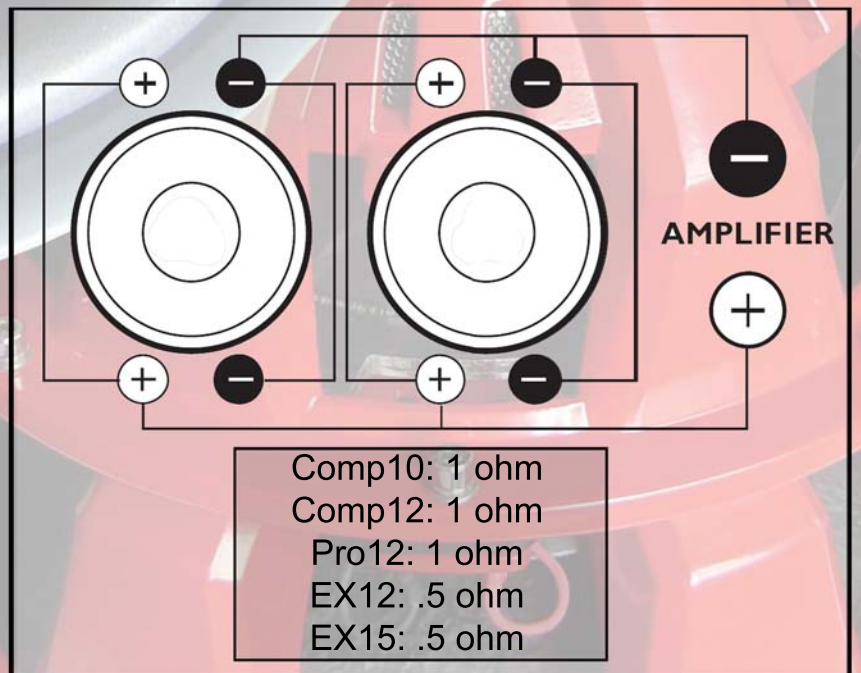
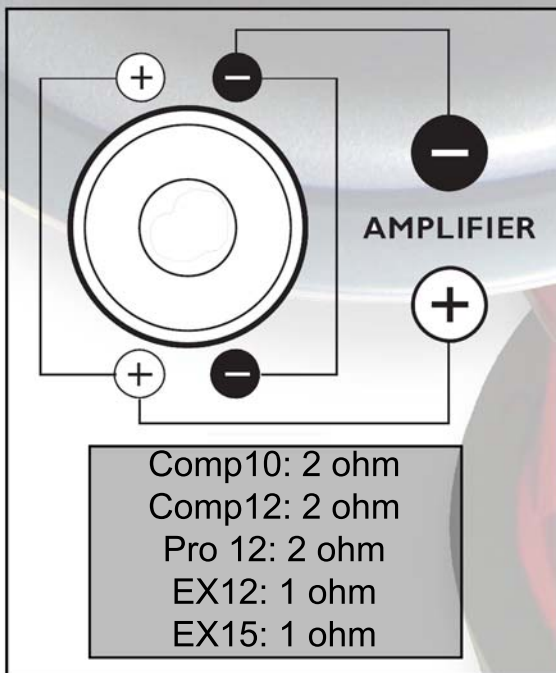
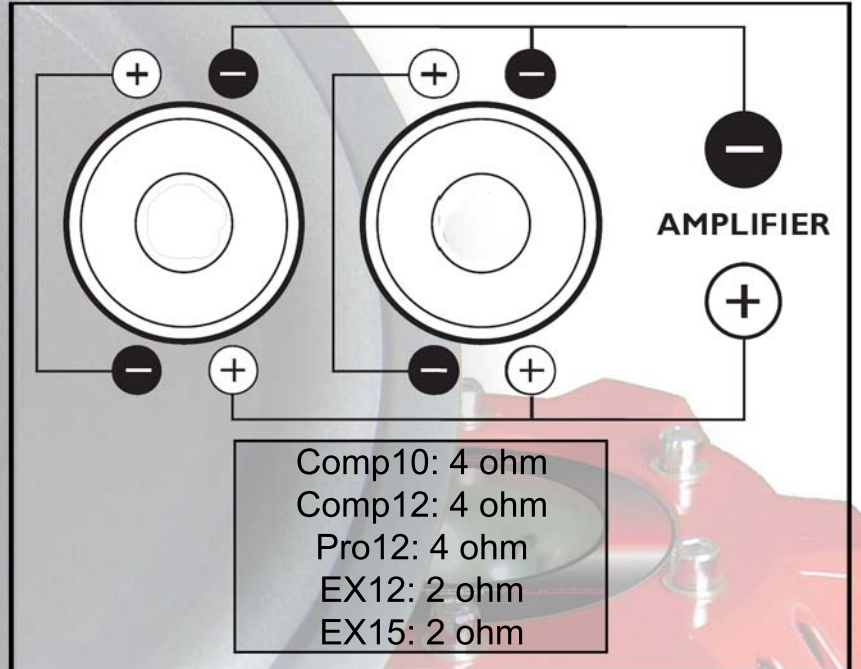
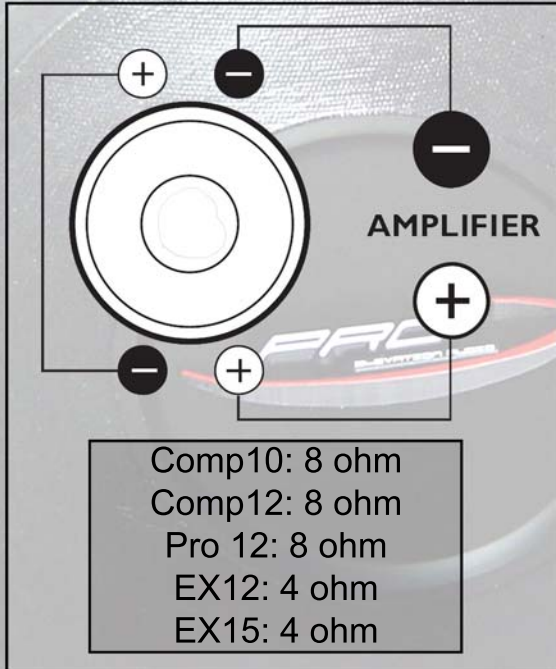
The enclosure recommendations listed are external dimensions which assume the use of 3/4" thick material. If you are using 5/8" thick material, subtract 1/4" from each dimension. Do not use any material with a thickness of less than 5/8" as this may compromise the rigidity on the enclosure.

All enclosure volumes listed are net internal volumes! Box volume displacement, port displacement and brace displacement must be added to obtain the final gross internal volume. All enclosure dimensions listed have already taken this into account.

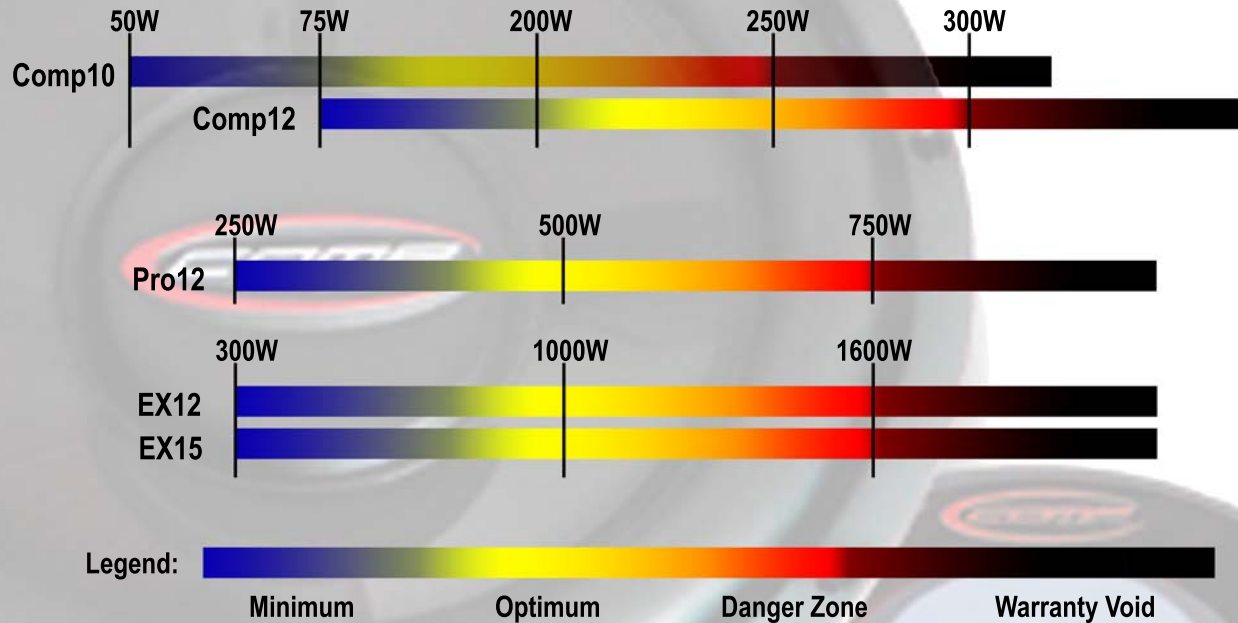
When using two subwoofers in a common enclosure simply double the required volume and, in the case of a ported enclosure, use two times the recommended port(s).

We recommend the use of the subwoofer in a bi-amplified system using high quality satellite speakers and amplifiers. We do not recommend the use of this subwoofer with a passive crossover (coil), as this type of device will adversely affect performance.

# Wiring Configurations



# Recommended Continuous (RMS) Power Ranges for a Single Subwoofer



## Elevation Audio Limited Warranty (USA)

Elevation Audio warrants this speaker to be free of defects in materials and workmanship for a period of (2) years from the original date of purchase for Comp and Pro subs and a period of (1) year from the original date of purchase for Execution subs contingent upon installation being performed or approved by an authorized Elevation Audio dealer in writing on the original sales receipt. **If the preceding condition is not met, the warranty term is limited to ninety (90) days from the original purchase date.**

Damage caused by the following is not covered under warranty: accident, misuse, abuse, product modification or neglect, failure to follow installation instructions, unauthorized repair attempts, misrepresentations by the seller. This warranty does not cover incidental or consequential damages and does not cover the cost of removing or reinstalling units(s). Cosmetic damage due to accident or normal wear and tear is not covered under warranty.

**This warranty is not transferable and applies only to the original purchaser of the product from an authorized Elevation Audio dealer.**

Should service be necessary under this warranty for any reason due to manufacturing defect or malfunction. Elevation Audio will, at its discretion, repair or replace the defective product with new or remanufactured product at no charge.

Any applicable implied warranties are limited in duration to the period of the express warranty as provided herein beginning with the date of the original purchase at retail, and no warranties, whether express or implied, shall apply to this product thereafter. Some states do not allow limitations on implied warranties, therefore these may not apply to you. This warranty gives you specific legal rights, and you may also have other rights which vary from state to state.

### If you need service on your Elevation Audio product:

All warranty returns should be sent to Elevation Audio freight prepaid through an authorized Elevation Audio dealer and must be accompanied by proof of purchase (a copy of original sales receipt). Direct returns from consumers or non-authorized dealers will be refused unless specifically authorized by Elevation Audio with a valid return authorization number. Return only defective components. Non-defective items received will be return freight-collect. Customer is responsible for shipping charges and insurance in sending the product to Elevation Audio. Freight damage on returns is not covered under warranty. Always include proof or purchase (sales receipt).

**For Service Information in the U.S.A. contact your local dealer.**

### International Warranties:

Products purchased outside the United States of America are covered only by that country's distributor and not Elevation Audio.





**ELEVATIONAUDIO**

*Performance. Perfection. Pride.*

**Contact Information:**

**7850 Route 5  
Clinton, NY 13323**

**ph (315) 853-5831  
fax (315) 853-5832**

**[sales@elevationaudio.com](mailto:sales@elevationaudio.com)**

**ELEVATIONAUDIO.COM**